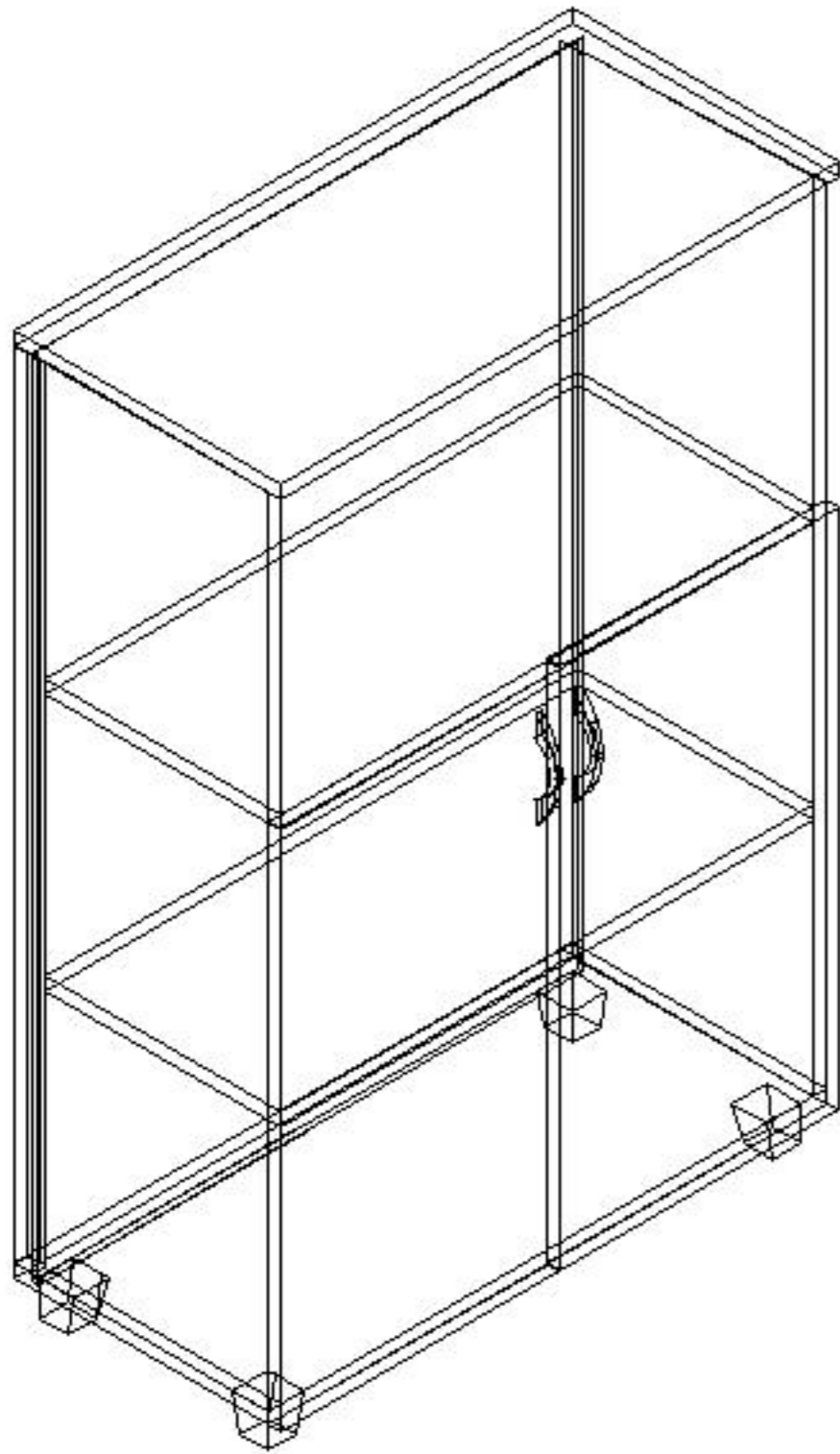
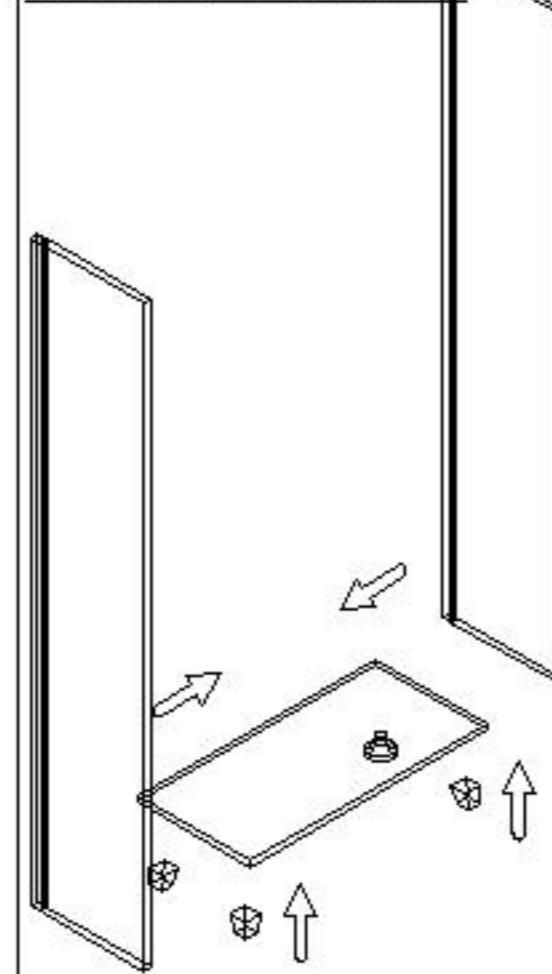


# MOUNTING DIAGRAM

## OVERALL PICTURE



## FIRST PHASE

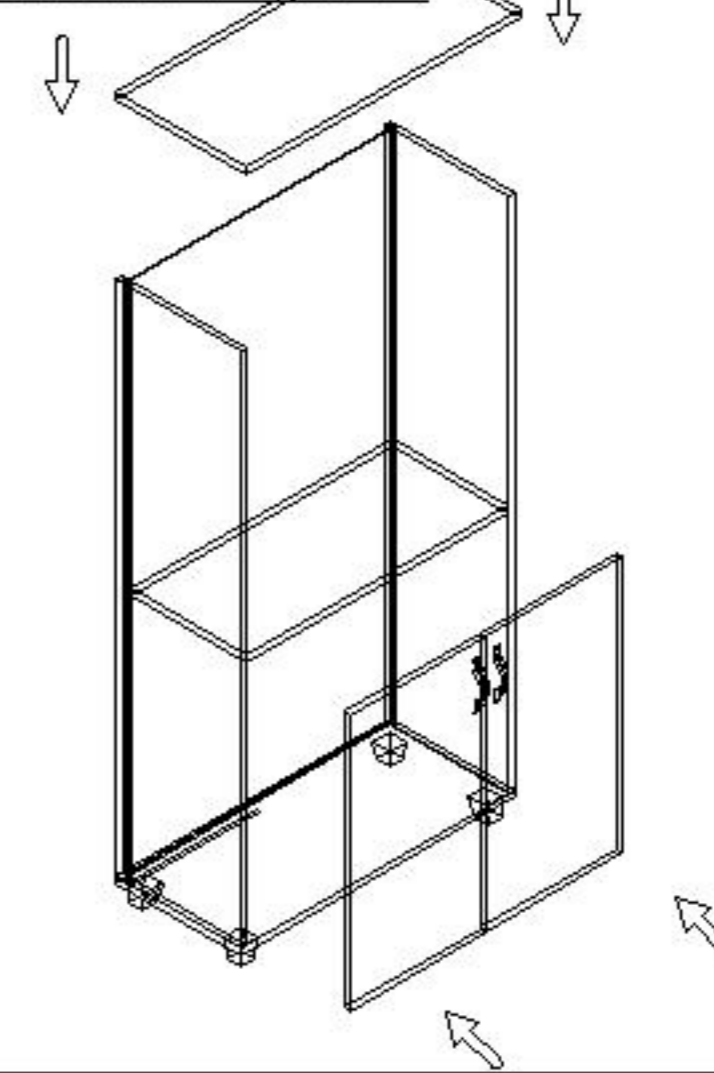


cabinet counterfort

3,5x18 mm

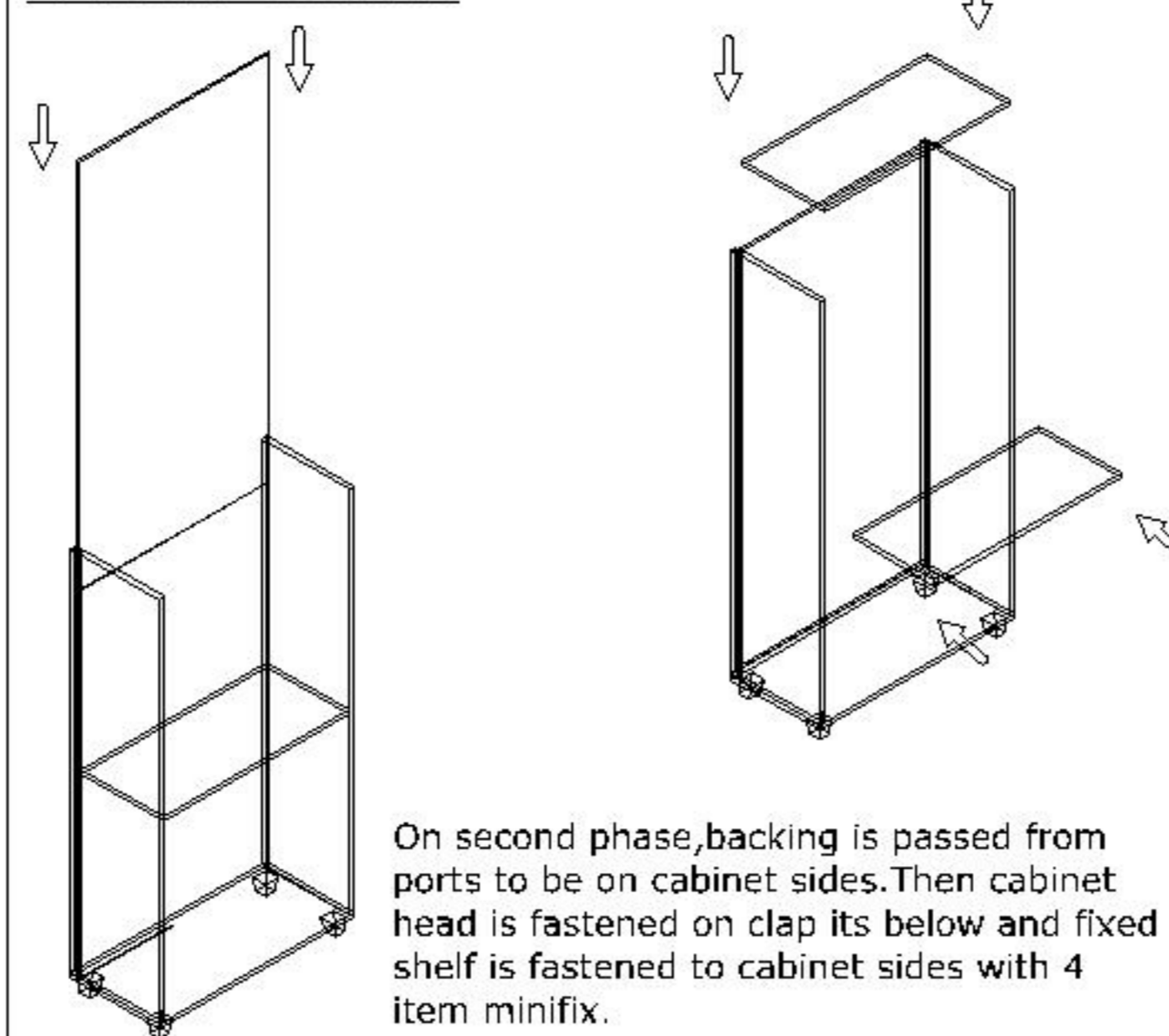
Firstly, 4 item vase feet are fastened on cover and fastening to cabinet below with 12 item screws 3,5x18 mm. Then cabinet sides (frames) are mounted to cabinet below with minifix

## THIRD PHASE



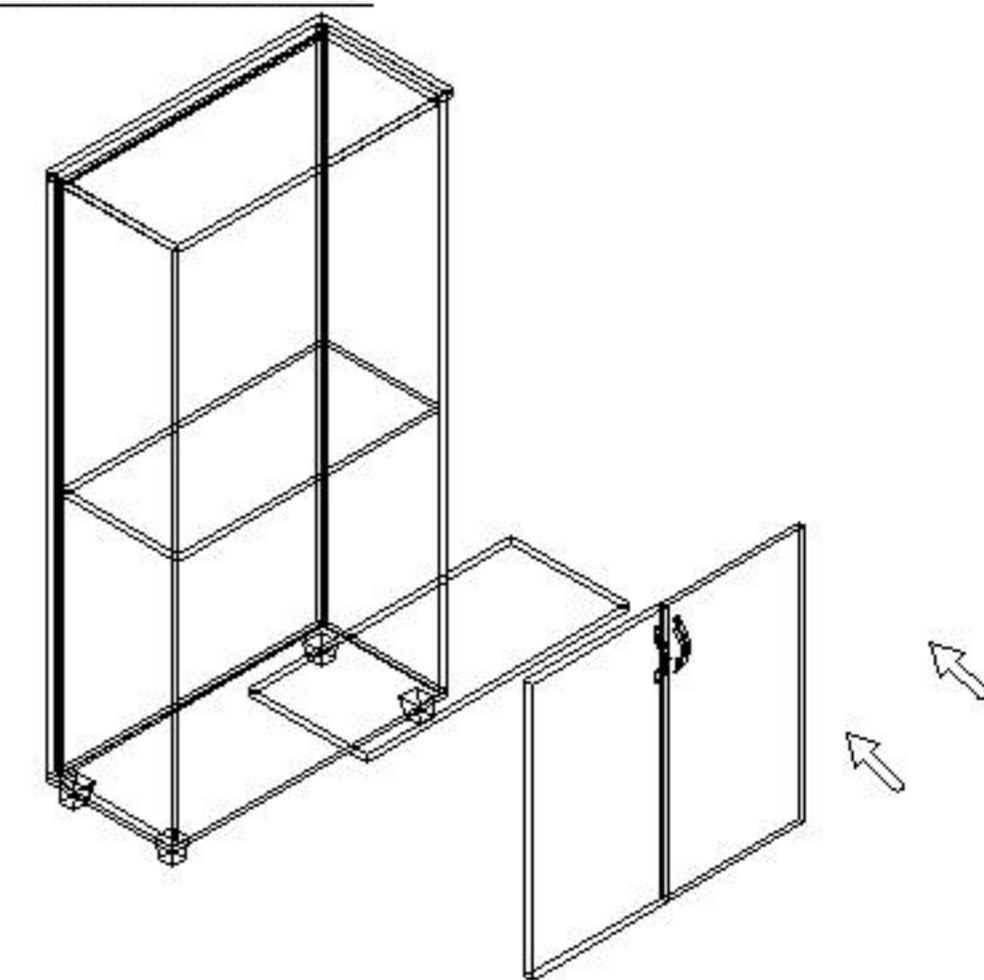
On this phase; Firstly head is placed on clap and concatenated with 4 item screws 3x18 mm from below

## SECOND PHASE



On second phase, backing is passed from ports to be on cabinet sides. Then cabinet head is fastened on clap its below and fixed shelf is fastened to cabinet sides with 4 item minifix.

## FOURTH PHASE



Hinges are fastened to holes of hinge to be on cabinet sides. Hinges are fastened with screws 3,5x18 mm to cabinet doors. Lastly; movable shelves are placed fastening shelf pims to cabinet sides.

**konfull**  
office furniture

**PRODUCT CODE**

**DLP 800-121**

**Prepared by**

**DESCRIPTION**

**L:80 W:40 H:120**

**120 cm melamine cabine with half door**

*Designer: Kadir RENKLİBAY*